

*This information is only provided as guidance. You should always satisfy yourself the product is completely safe to use in your environment with a full safety assessment.*



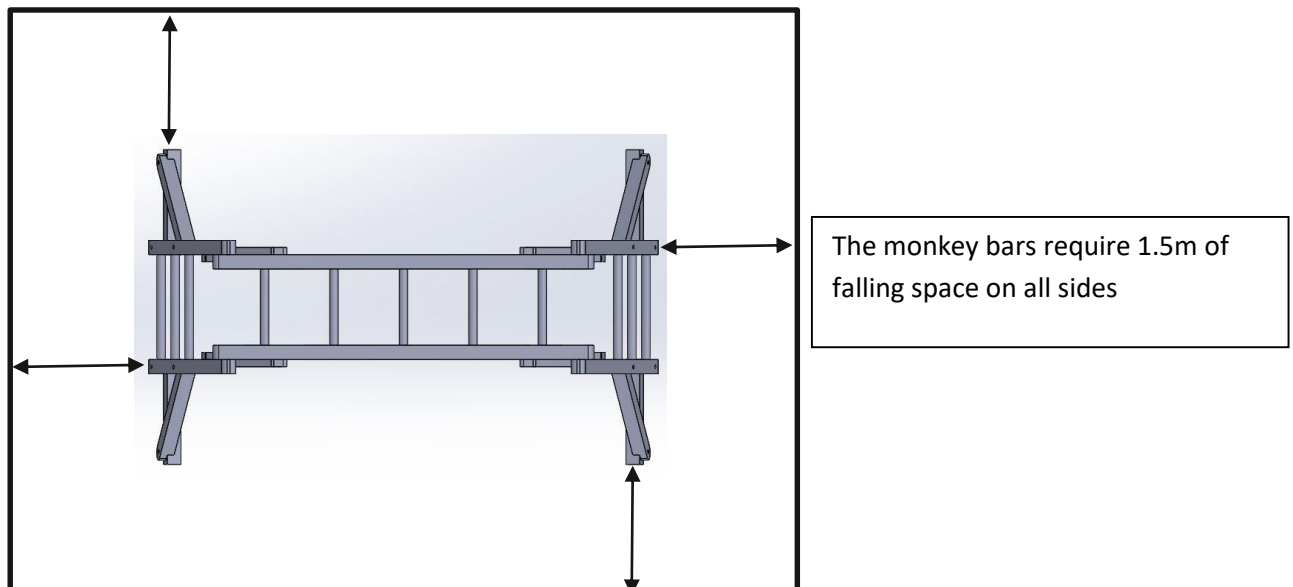
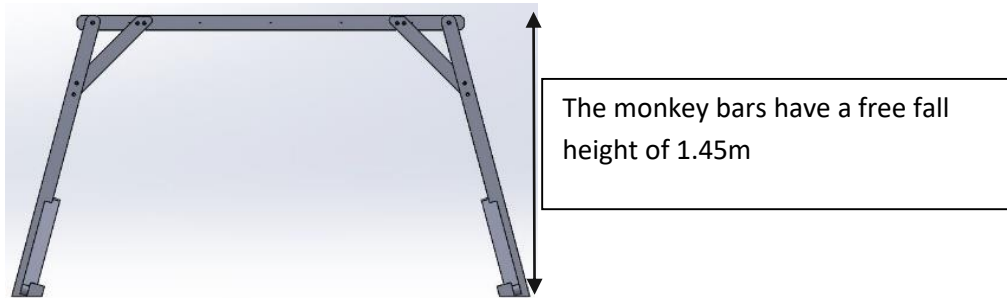
## 34625 - Monkey Bars Customer Pre-information

---

### Safety Information

For safety this product is required to be sited on a flat level surface, with a suitable safe surface that conforms to EN 1177:2018

Please check with your surface installation contractor.



Monkey Bar Dimensions: H1.45m x L2.6m x W1.7m

Weight Approx: 30kg

Age Range: 5-11yrs

Adult Supervision Required

If any parts become damaged or broken it must be reported to COSY immediately

Any spare parts must be ordered from COSY to ensure they conform to EN 1176-1:2017